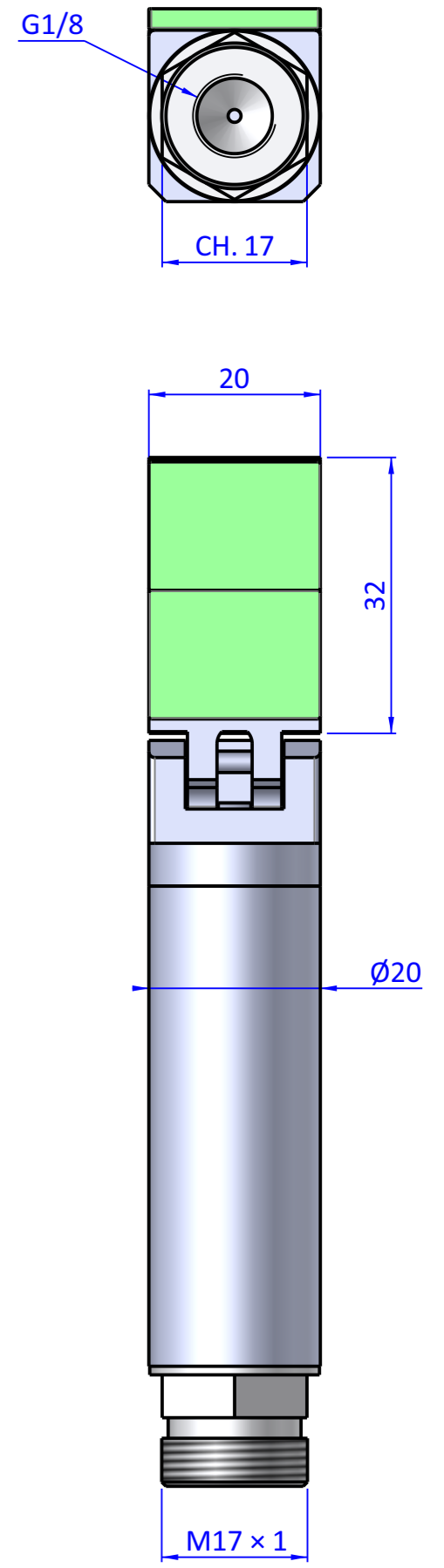
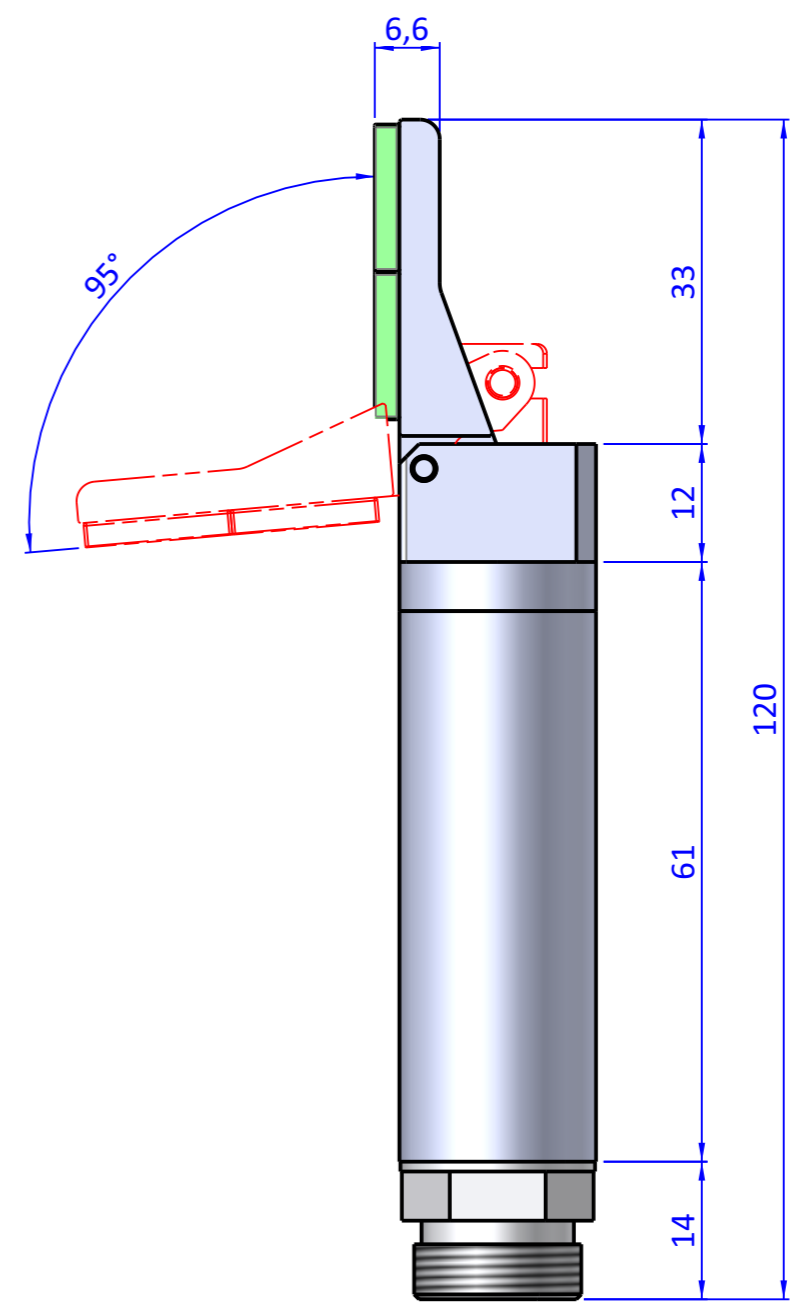
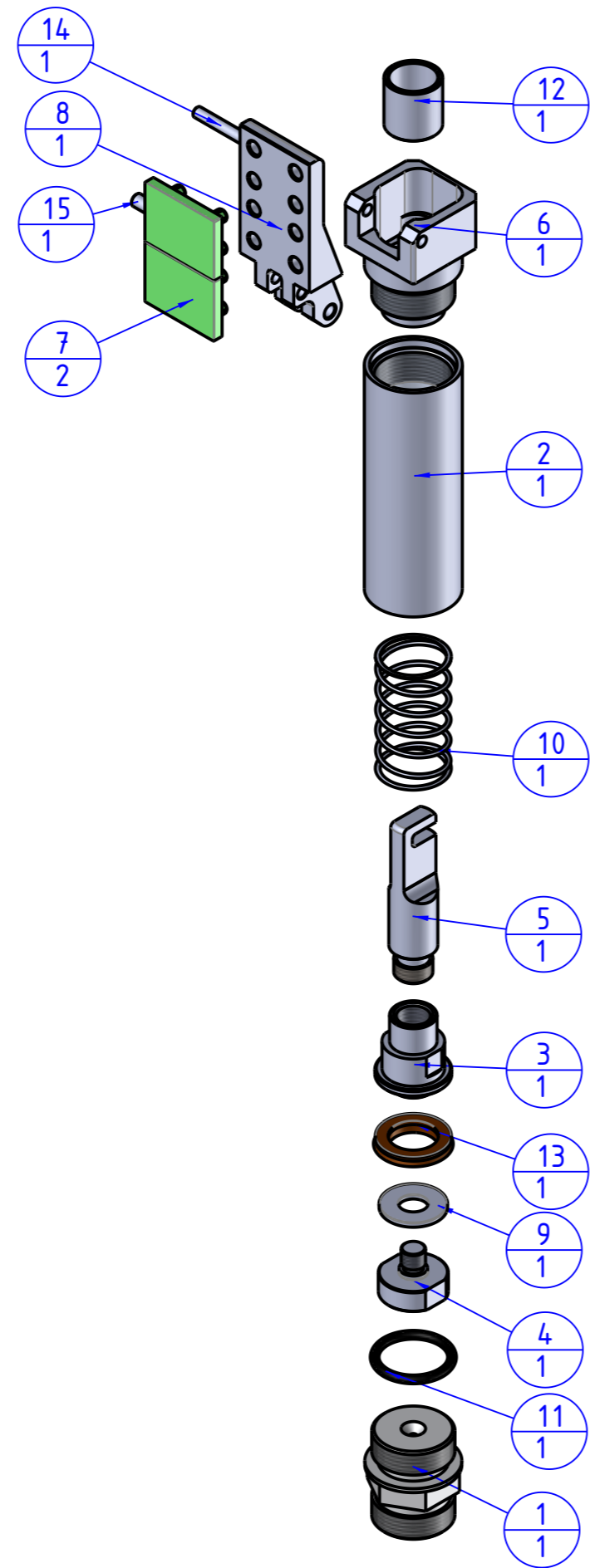



THE PROPERTY OF THE DRAWING IS ESTABLISHED BY LAW. IT IS FORBIDDEN TO PRODUCE OR SHOW IT TO THIRD PART WITHOUT A WRITTEN AGREEMENT.

Item	Name	Q.ty
1	GRF20.95.01	1
2	GRF20.95.02	1
3	GRF20.95.03	1
4	GRF20.95.03.2	1
5	GRF20.95.04	1
6	GRF20.95.05	1
7	GRF20.95.08.V	2
8	GRF20.95.09.2	1
9	GRF20.95.10	1
10	M.GRF.2095.1	1
11	OR.2056	1
12	PAP.101212	1
13	PSP.1610255	1
14	SP.2,5x18M6	1
15	SP.3x10M6	1



Format A3
UNI 936-76

 FPS SERVICES AUTOMATION		DESIGNED FROM		REVIEW
		FPS Automation		A
GENERAL TOLERANCE		DATE	WEIGHT	
UNI - ISO 2768		07/05/2026	0,077kg	
CLASSE f		CODE		
		CA.GRF.2095.GW2		CA.GRF.2095.GW2